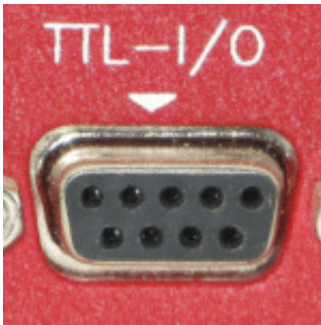


TTL Inputs and Outputs

TTL Ports – Button Pumps



Pump TTL Db9
Connector

On the normal button/display pumps or bench pumps, the ttl output ports are available on the DB9 connector on the rear panel. This connector is **not the RS-232 port!**

The following chart shows the pin input and output assignment.

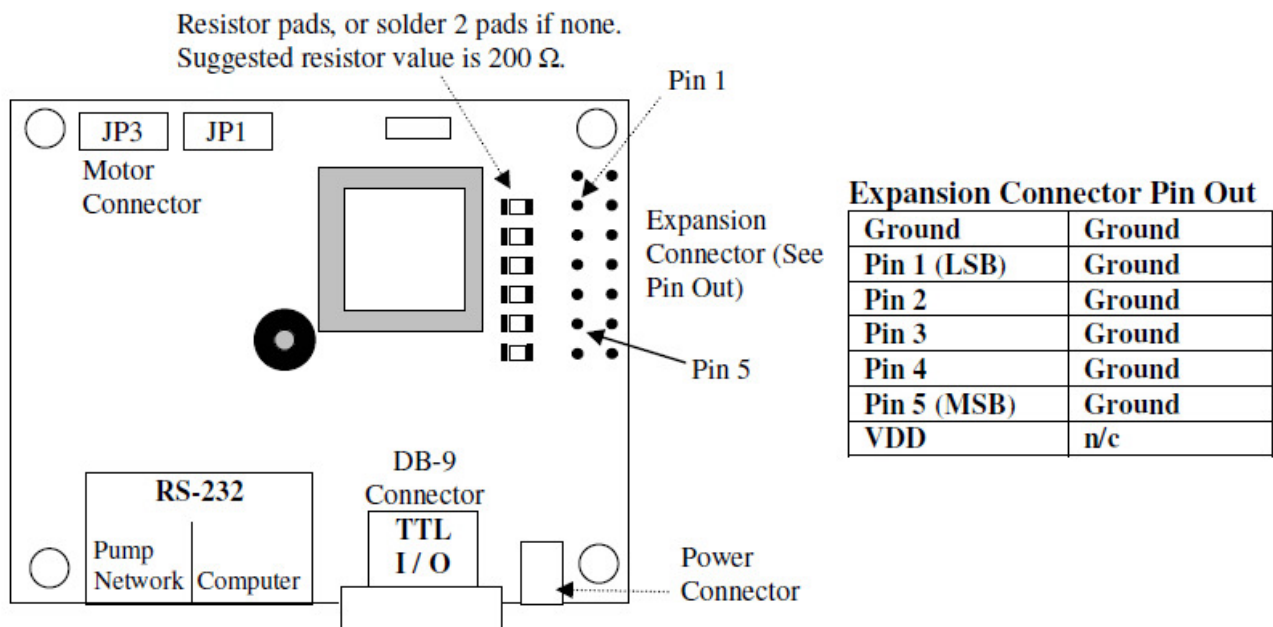
- logic high (1): 3.5 to 5.25 V

TTL Ports – OEM Pumps

The OEM pump models are configured for installing in equipment of your design. As such the pump control circuit board is set up to take soldered connections rather than a single plug.

This diagram from the OEM Pump Manual shows the solder pad location and the location of current limiting resistors.

9. Logic Interface: TTL Input and Output



[Download Diagram](#)

Accessing Ports Via RS232

The logic levels of pins 2, 3, 4, and 6 can be queried from an attached computer using the RS-232 'IN' command and the output logic level of pin 5 can be set with the RS-232 'OUT' command.

There's more details in your [pump manual](#).

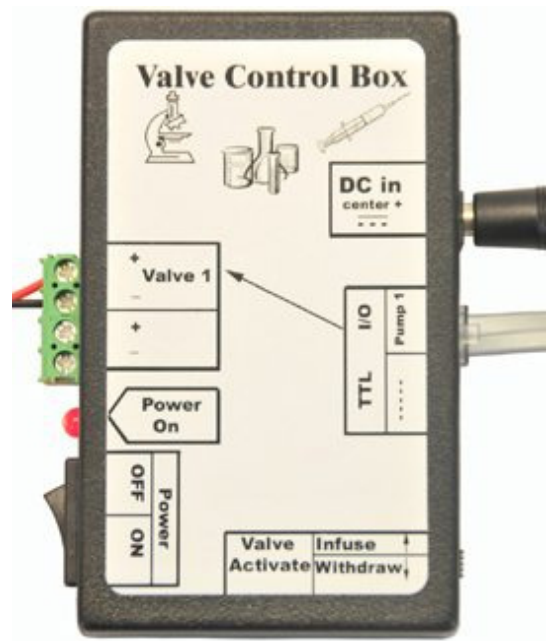
Power on Pin State

Unfortunately neither model of the pump appear to remember the last state of the TTL outputs after power cycling. All the pins appear to come on high at switch on regardless of previous state.

Users of the Valve Control Box

If you're a user of the Valve Control Box inverting the signal is just a matter of changing the valve activate switch from Infuse to Withdraw.

[Back to Pump Programming](#) | [Back to FAQs](#)



Single Control Valve Box

January 31st, 2017 | [FAQs, Pump Programming](#)



Take control of your pumps!

MENU

[Home](#)

[Tour](#)

[Compatible Pumps](#)

[Pump Manufacturers](#)

[Contact Us](#)

[Who's Using](#)

[Testimonials](#)

[About](#)

[Shop](#)

[Pricing](#)

[Try SyringePumpPro](#)

[Find a Distributor](#)

[Licensing](#)

[Pump Programming Service](#)

[Used Pumps](#)

[Login](#)

[Pumps](#)

[Programming](#)

[Drawings](#)

[Manuals](#)

[Rates and Specifications](#)

[Connectivity](#)

[Cables](#)

[Applications](#)

RECENT POSTS

[How to Find Your Machine ID](#)

[Save time and money by buying the correct license](#)

[V1 File Permissions in Restrictive Environments](#)

[V1 License Key Installation Instructions](#)

[Target](#)

Blog

Papers Citing
SyringePumpPro

computer has
no internet
connection

© Copyright 2018 SyringePumpPro | All Rights Reserved | [Terms of Use](#) | [Privacy Policy](#)

